

## Features to Function

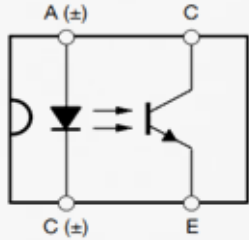
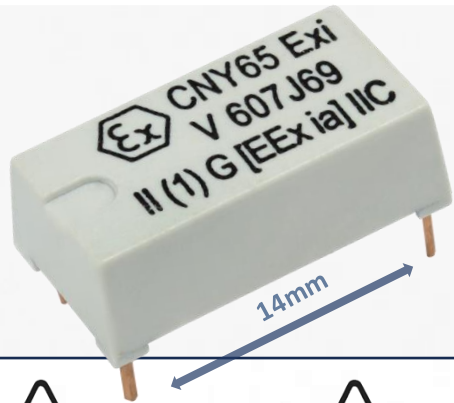
# ATEX Certified Optical - Isolator – Explosive and Hazardous Environments



The DNA of tech.®

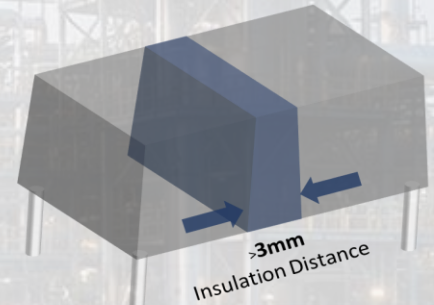
Designed for hazardous industrial environments including oil & gas, hydrogen systems, chemical processing, and intrinsically safe devices.

Part No.	Package	CTR (%)	Creepage	Temperature	Working Voltage $V_{IORM}$	$V_{ISO}$	CTI	Datasheet
CNY65EXI	HV-DIP	50 to 300 B: 100 to 200	14 mm	-55 °C to +85 °C	1450 V <sub>peak</sub>	8200 V <sub>RMS</sub>	475	<a href="https://www.vishay.com/ppg?83541">https://www.vishay.com/ppg?83541</a>



- Suitable for intrinsic safe circuits for gas and dust
- Gas safety provision: II (1) G [Ex ia Ga] IIC
- Dust safety provision: II (1) D [Ex ia Da] IIC
- Conforms to latest EN 60079-0 : 2018
- Qualified for continuously, longterm, or frequently dangerous explosive environments, zone 0

$V_{ISO} = 8200 \text{ V}_{RMS}$   
 $V_{IORM} = 1450 \text{ V}_{peak}$   
 CTI = 475  
 Insulation:  $\geq 3 \text{ mm}$   
 Creepage: 14 mm



ATEX / IECEx  
Intrinsic Safety

Safe Signall  
olation with  
CNY65EXI  
optocoupler



ATEX :  
 PTB 03 ATEX 2033 U  
 EN 60079-0 : 2018  
 EN 60079-11 : 2012  
 EN 60079-26 : 2015

